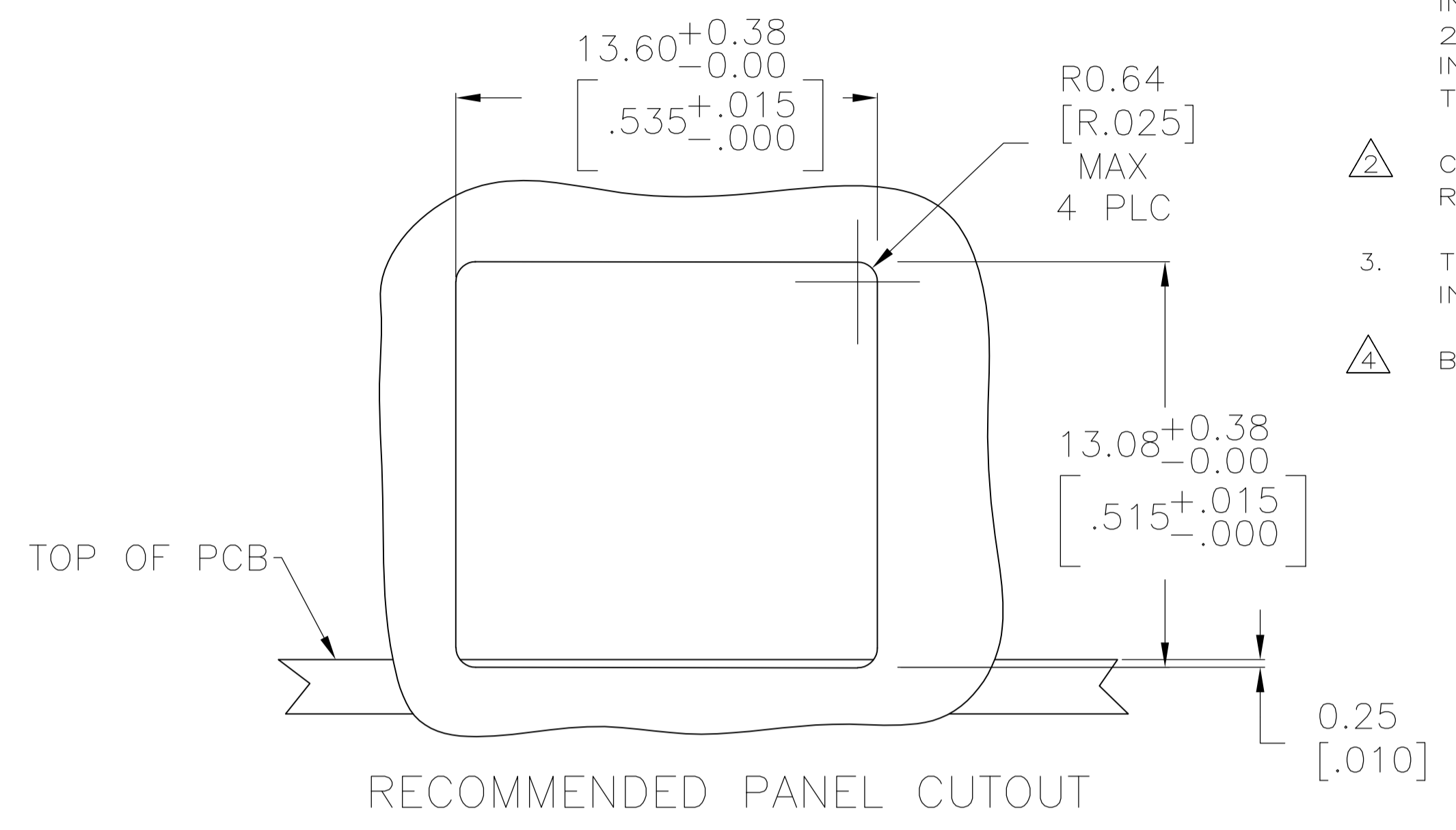
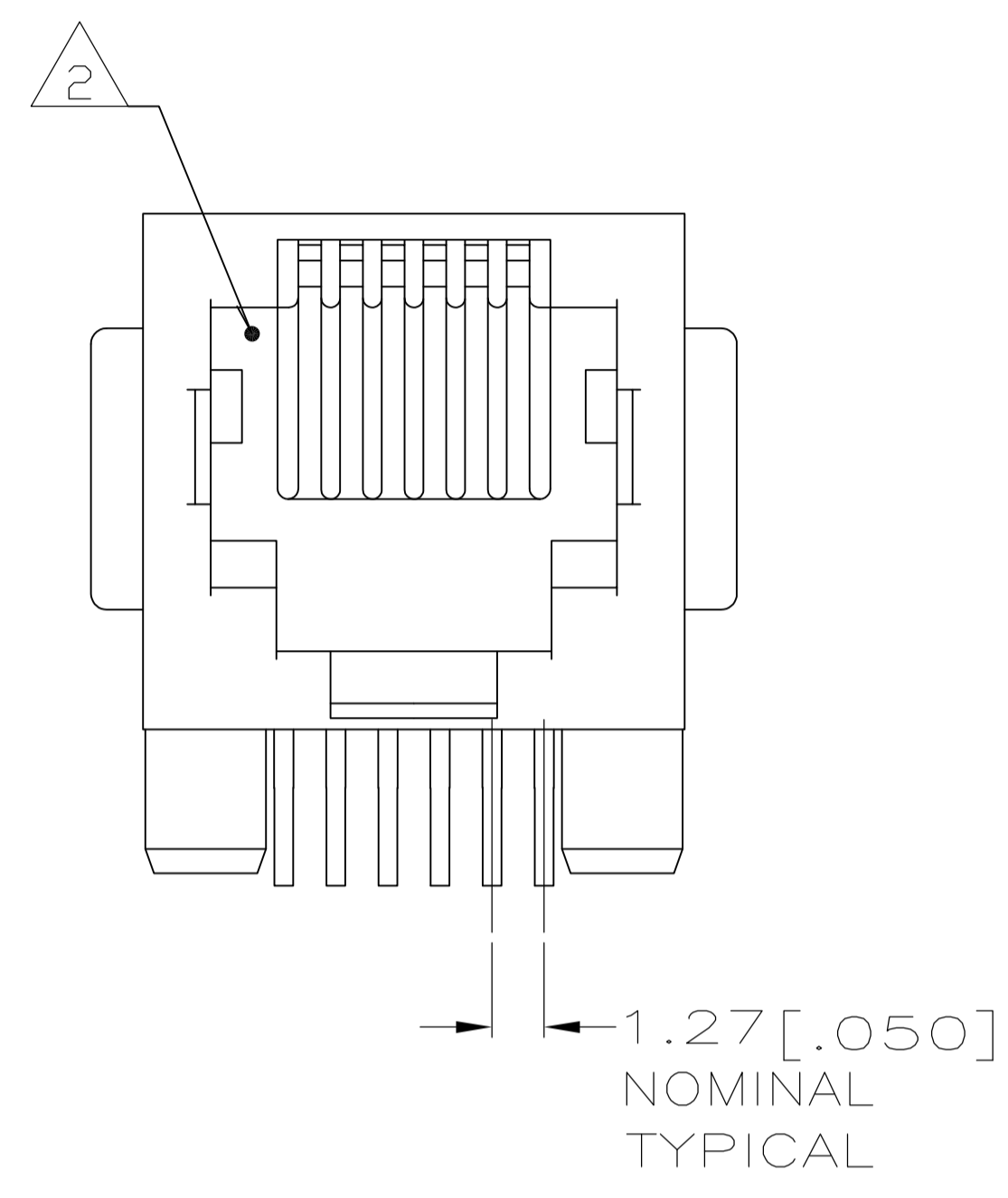
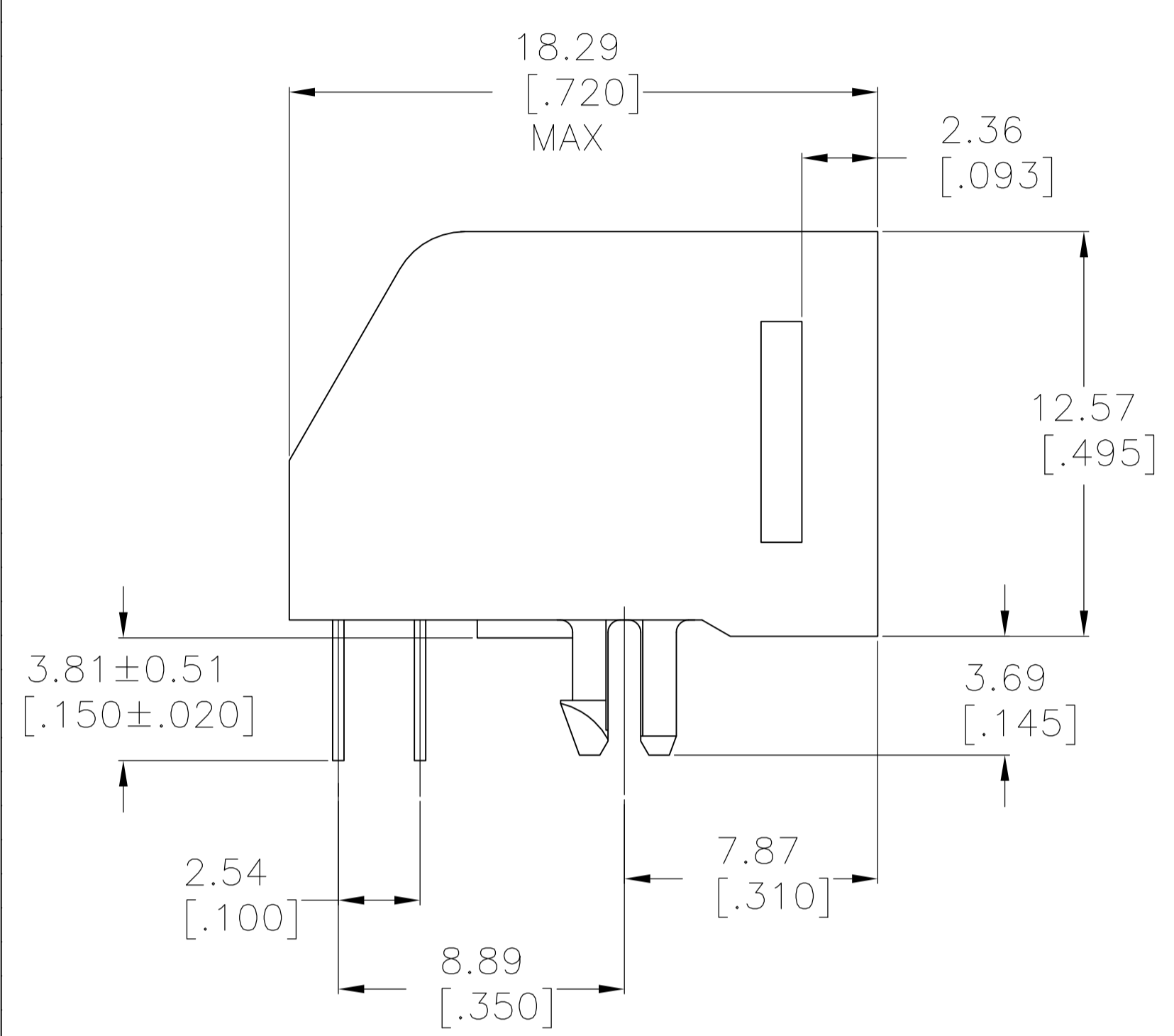
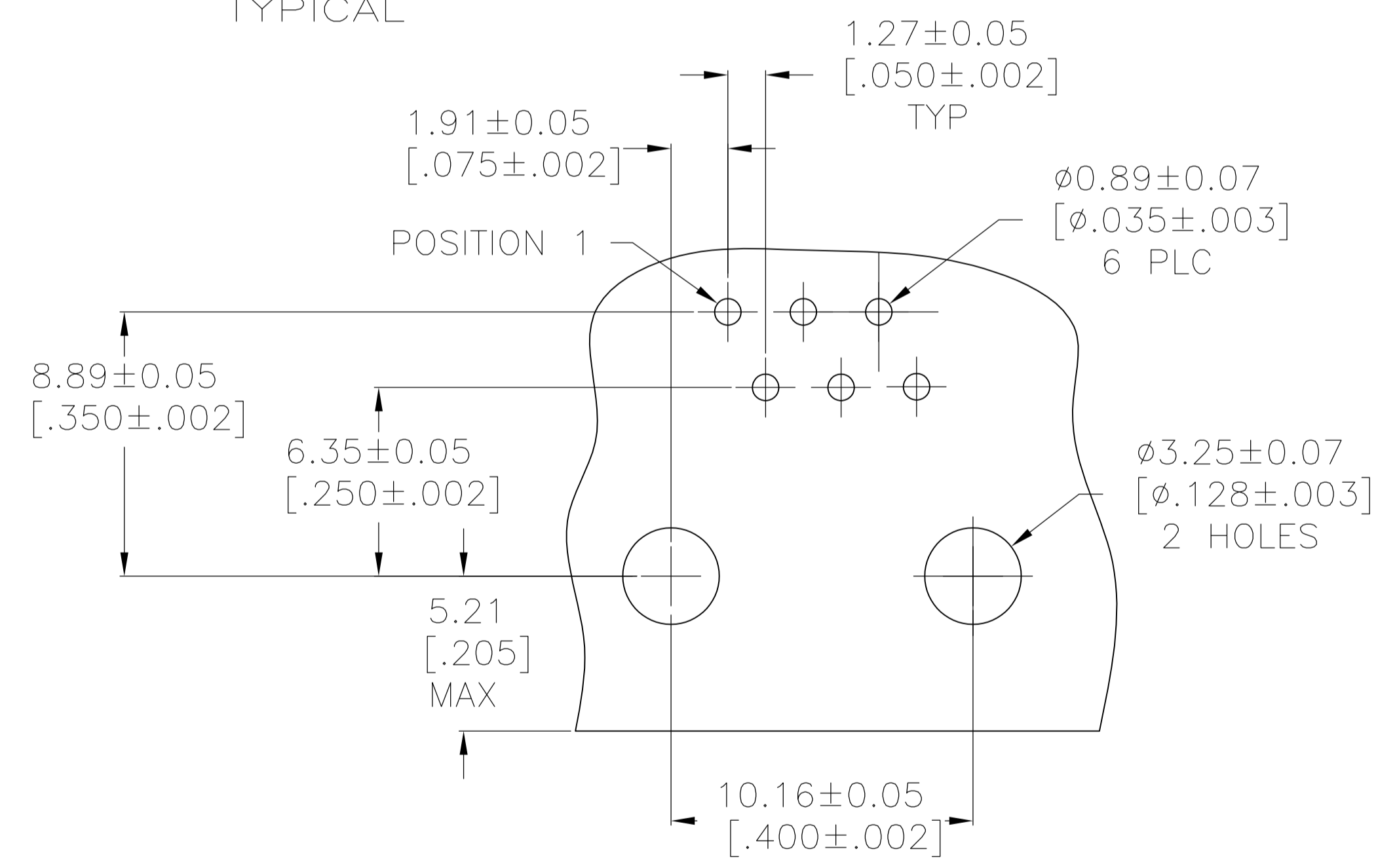
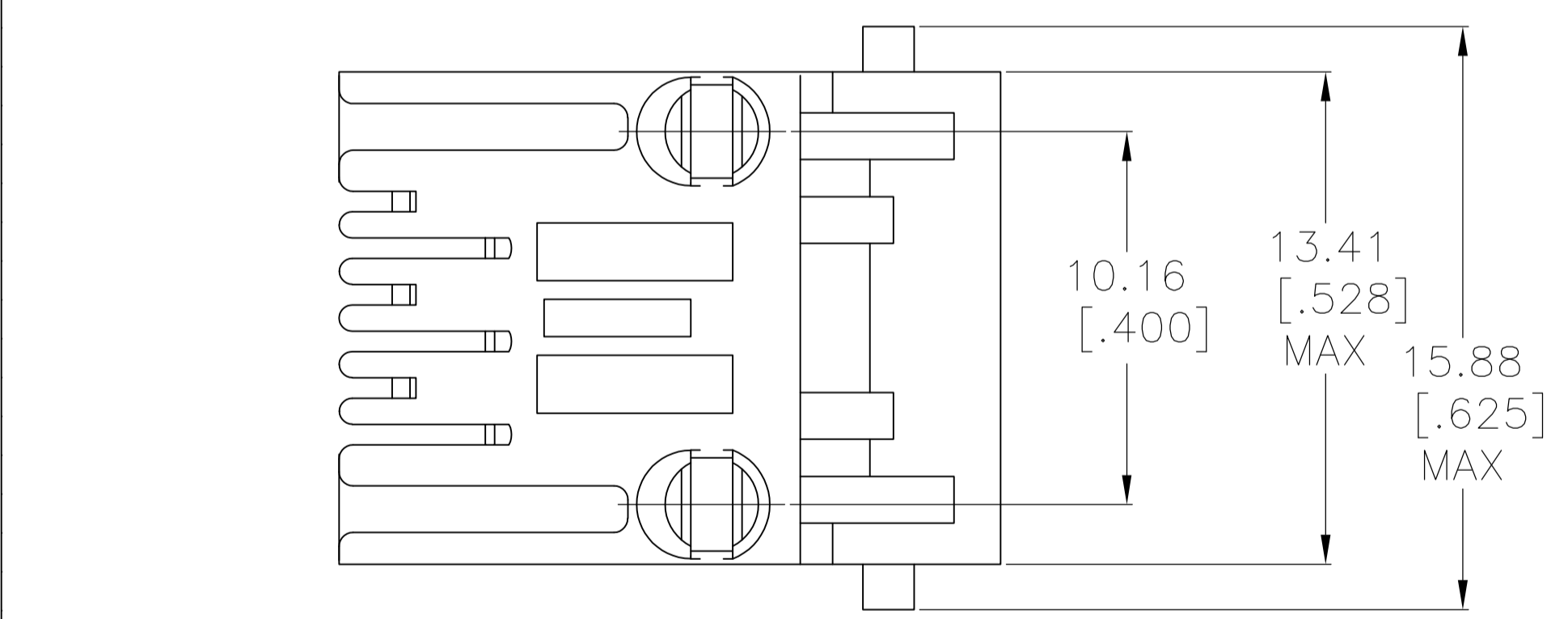


LOC		DIST		REVISIONS			
AA	00	REV	DATE	BY	CHK	APPV	
C1	REVISED PER ECO-11-005140		28MAR11	RK	HMR		



- MATERIAL: HOUSING - PBT POLYESTER, BLACK.  
TERMINAL - 0.35 [.0138] THICK PHOSPHOR BRONZE PLATED WITH 1.27µm [.000050] THICK HARD GOLD IN LOCALIZED GOLD PLATE AREA AND 2.03µm [.000080] THICK MATTE TIN IN SOLDER AREA OVER 1.27µm [.000050] THICK NICKEL UNDERPLATE.
- CAVITY CONFORMS TO FCC RULES AND REGULATIONS PART 68, SUBPART F.
- TERMINALS FOR 5555163-2 AND -5 LOCATED IN CENTER POSITIONS.
- BULK PACKAGED IN A TRAY.



REV	DATE	DESCRIPTION	DATE	BY	CHK	APPV
2		5555163-5				
4		5555163-2				
6		5555163-1				

THIS DRAWING IS A CONTROLLED DOCUMENT.

DIMENSIONS: mm [INCHES]	TOLERANCES UNLESS OTHERWISE SPECIFIED:	DRAWING NO. 108-1163	SCALE 6:1
0 PLC ± -	1 PLC ± -	SIZE A1	SHEET 1 OF 1
2 PLC ± 0.13[.005]	3 PLC ± -	WEIGHT -	REV C1
4 PLC ± -	ANGLES ± -	CUSTOMER DRAWING	

APPROVED BY: J. WESTMAN, S. FLICKINGER

TE Connectivity

MODULAR JACK ASSEMBLY, 6 POSITION, LOW PROFILE, RIGHT ANGLE, WITH PANEL STOPS